

marantz®

Model MA6100 User Guide

Mono Amplifier

ENGLISH

WARRANTY

Contact your local Marantz distributors for warranty information.

RETAIN YOUR RECEIPT AS PROOF OF PURCHASE

Your receipt is proof of a valuable purchase. Keep it in a safe place where you can easily find it for filing insurance claims when necessary or when corresponding with Marantz.

IMPORTANT

It is the responsibility of the consumer to establish proof of purchase when seeking servicing covered by the warranty. Your receipt or invoice is valid as such proof.

U.K. ONLY

This undertaking is in addition to a consumer's statutory rights and does not affect those rights in any way.

FRANÇAIS

GARANTIE

Veillez contacter les revendeurs Marantz locaux pour de plus amples informations concernant la garantie.

CONSERVER LE TICKET DE CAISSE COMME PREUVE D'ACHAT

Le ticket de caisse représente la preuve d'un achat de valeur. Le conserver dans un endroit sûr, où il peut être retrouvé aisément, afin d'introduire les revendications éventuelles auprès des assurances ou auprès de Marantz, le cas échéant.

IMPORTANT

Il incombe au consommateur d'établir la preuve de son achat, à l'aide du ticket de caisse ou de la facture, lors de la demande d'interventions couvertes par la garantie.

DEUTSCH

GARANTIE

Wenden Sie sich bezüglich Informationen zur Garantie an Ihren örtlichen Marantz-Händler.

BEWAHREN SIE ALS KAUFNACHWEIS IHRE KAUFQUITTUNG AUF

Ihre Quittung bzw. Rechnung ist ein Beweis für Ihren wertvollen Kauf. Bewahren Sie diese an einem sicheren Ort auf, wo Sie sie im Fall eines Versicherungsschadens oder bei der Korrespondenz mit Marantz leicht wiederfinden können.

WICHTIG

Es liegt in der Verantwortung des Käufers, den Kaufnachweis zu liefern, wenn Garantiereparaturen in Anspruch genommen werden sollen. Ihre Quittung oder Rechnung dient als ein solcher Nachweis.

NEDERLANDS

GARANTIE

Neem contact op met de Marantz distributeurs in uw buurt voor informatie over de garantie.

BEWAAR UW REÇU ALS AANKOOPBEWIJS.

Uw reçu is het bewijs dat u een waardevol product heeft gekocht. Berg het veilig op, zodat u het snel terug kunt vinden als u een verzekeringsclaim moet indienen of voor uw correspondentie met Marantz.

BELANGRIJK

De klant is verantwoordelijk voor het tonen van een aankoopbewijs wanneer het apparaat onder garantie moet worden gerepareerd. Uw reçu of uw factuur is een geldig aankoopbewijs.

ITALIANO

GARANZIA

Contattare i distributori Marantz della zona dell'utente per informazioni sulla garanzia.

CONSERVARE LA RICEVUTA COME PROVA D'ACQUISTO

La ricevuta comprova un acquisto di valore. Conservarla in un luogo sicuro e facilmente reperibile per intraprendere dei reclami, ove necessario, o quando ci si rivolga alla Marantz.

IMPORTANTE

L'utente ha la responsabilità di produrre una prova d'acquisto se vuole servirsi dell'assistenza coperta da garanzia. La ricevuta o la fattura è valida in questo senso.

PORTUGUÊS

GARANTIA

Para informações sobre a garantia, contacte o concessionário local Marantz.

GUARDE O TALÃO DE COMPRA COMO PROVA

O talão de compra é a prova de ter comprado qualquer coisa de valor. Guarde-o em lugar seguro, pois pode precisar dele para obter uma cobertura de seguro ou no âmbito de correspondência com Marantz.

IMPORTANTE

Para obter um serviço coberto pela garantia, o cliente deve apresentar a prova e a data da compra. O talão ou a factura constituem provas suficientes.

ESPAÑOL

GARANTÍA

Consulte a su distribuidor local de Marantz si desea más información sobre la garantía.

CONSERVE EL RECIBO COMO PRUEBA DE COMPRA

Su recibo constituye la prueba de compra. Guárdelo en un lugar seguro donde pueda hallarlo fácilmente en caso de que lo necesite para presentar una reclamación de garantía o mantener algún tipo de correspondencia con Marantz.

IMPORTANTE

Es responsabilidad del consumidor presentar la prueba de compra siempre que solicite alguna reparación cubierta por la garantía. La factura o el recibo son documentos válidos como prueba de compra.

SVENSKA

GARANTI

Kontakta din lokala Marantz-distributör för information om garantin.

SPAR KVITTOT SOM INKÖPSBEVIS

Kvittot är ditt bevis för ett värdefullt inköp. Förvara det på en säker plats där du lätt kan hitta det för försäkringsfrågor eller korrespondens med Marantz.

VIKTIGT

Kunden ansvarar för att uppvisa inköpsbevis när service begärs som täcks av garantin. Ditt kvitto eller faktura är ett giltigt inköpsbevis.

DANSK

GARANTI

Bed din Marantz-forhandler om oplysninger om garantien.

GEM DIN KVITTERING SOM KØBSBEVIS

Din kvittering er bevis på et værdifuldt køb. Opbevar den på et sikkert sted, hvor du let kan finde den i forbindelse med eventuelle erstatningskrav eller korrespondance med Marantz.

VIGTIGT

Det er brugerens ansvar at forelægge købsbevis, hvis der er brug for det i garantiforbindelse. Din kvittering eller faktura er gyldige beviser.

CONTENTS

English	page 4
Français	page 9
Deutsch	seite 14
Nederlands	pagina 19
Italiano	pagina 24
Português	página 29
Español	pagina 34
Svenska	sidan 39
Dansk	page 44

CE MARKING

- English**
The MA6100 conforms with the EMC directive and low-voltage directive.
- Français**
Le MA6100 est conforme à la directive EMC et à la directive sur les basses tensions.
- Deutsch**
Der MA6100 entspricht den Bestimmungen über elektromagnetische Störfreiheit (EMC) und denen über Niederspannungsgeräte.
- Nederlands**
De MA6100 voldoet aan de EMC-richtlijn en aan de richtlijn voor laag voltage.
- Italiano**
Il MA6100 è conforme alla direttiva EMC e alla direttiva sul basso voltaggio.
- Português**
O MA6100 é conforme às Directivas relativas à EMC e à baixa tensão.
- Español**
El modelo MA6100 cumple la directiva EMC y a la directiva sobre baja tensión.
- Svenska**
MA6100 uppfyller direktiven angående elektromagnetisk kompatibilitet och lågspänning.
- Dansk**
MA6100 overholder EMC-direktivet og lavspændingsdirektivet.

English

To ventilate the unit, do not install the unit in a rack or bookshelf, and note the followings.

- Do not touch the top of the enclosure during operation.
- Do not block the openings in the enclosure during operation.
- Do not insert objects beneath the unit.
- Do not block the ventilation slots at the top of the unit.
Do not place anything about 1 meter above the top panel.
- Make a space of about 0.2 meter around the unit.

Français

Pour que l'appareil puisse être correctement ventilé, ne pas l'installer dans un meuble ou une bibliothèque et respecter ce qui suit.

- Ne pas toucher le dessus du coffret.
- Ne pas obstruer les ouïes de ventilation du coffret pendant le fonctionnement.
- Ne placer aucun objet sous l'appareil.
- Ne pas obstruer les ouïes de ventilation du panneau supérieur. Ne placer aucun objet à moins d'un mètre environ du panneau supérieur.
- Veiller à ce qu'aucun objet ne soit à moins de 0,2 mètre des côtés de l'appareil.

Deutsch

Um eine einwandfreie Belüftung des Geräts zu gewährleisten, darf das Gerät nicht in einem Gestell oder Bücherregal aufgestellt werden; die folgenden Punkte sind besonders zu beachten:

- Während des Betriebs das Oberteil des Gehäuses nicht berühren.
- Während des Betriebs die Öffnungen im Gehäuse nicht blockieren.
- Keine Gegenstände in das Gerät einführen.
- Die Belüftungsschlitze an der Oberseite des Geräts dürfen nicht blockiert werden. Darauf achten, daß über dem Gerät ein Freiraum von mindestens 1 meter vorhanden ist.
- Auf allen Geräteseiten muß ein Zwischenraum von ungefähr 0,2 meter vorhanden sein.

Nederlands

Installeer het toestel niet in een rek of boekenkast waar de ventilatie mogelijk wordt gehinderd. Let tevens op de volgende punten:

- Raak de bovenkant van het toestel niet aan als het in gebruik is.
- Blokkeer de openingen van het toestel niet als het in gebruik is.
- Plaats geen onderwerpen onder het toestel.
- Blokkeer de ventilatie-openingen aan de bovenkant van het toestel niet. Zorg dat er tenminste 1 meter vrije ruimte boven het toestel is.
- Zorg dat er 0,2 meter vrije ruimte rond het toestel is.

Italiano

Perché l'unità possa essere sempre ben ventilata, non installarla in scaffali o librerie e tenere presente quanto segue.

- Non toccare la parte superiore del rivestimento durante il funzionamento.
- Non bloccare le aperture sul rivestimento durante il funzionamento.
- Non inserire oggetti al di sotto dell'unità.
- Non bloccare le fessure di ventilazione sopra l'unità.
- Non posare nulla per circa un metro sopra il pannello superiore.
- Lasciare 0,2 metro liberi tutto intorno l'unità.

Português

Para ventilar o aparelho, não instalá-lo dentro duma estante ou algo similar, e observar as seguintes recomendações:

- Não tocar a parte superior do aparelho durante a operação.
- Não bloquear as aberturas do aparelho durante a operação.
- Não inserir objectos debaixo do aparelho.
- Não bloquear as aberturas de ventilação na parte de cima do aparelho.
Deixar um espaço completamente livre de cerca de 1 metro acima do painel superior.
- Deixar um espaço de cerca de 0,2 metro ao redor do aparelho.

Español

Para ventilar la unidad no la instale en una estantería ni estante para libros, y tenga en cuenta lo siguiente:

- No toque la parte superior de la caja durante el funcionamiento.
- No tape las ranuras en la caja durante el funcionamiento
- No ponga objetos debajo de la unidad.
- No tape las ranuras de ventilación de la parte superior de la unidad. No ponga nada a menos de 1 metro por encima del panel superior.
- Deje un espacio de unos 0,2 metro alrededor de la unidad.

Svenska

För att ventilera enheten, ställ den inte i ett ställ eller bokhylla och tänk på följande.

- Vidrör inte ytterhöljets ovansida under pågående drift.
- Blockera inte öppningarna i ytterhöljet under pågående drift.
- Stick inte in föremål under enheten.
- Blockera inte ventilationshålen ovanpå enheten.
Placera inte någonting närmare än 1 meter ovanför apparaten eller enheten.
- Se till att det finns omkring 0,2 meter fri plats runt omkring enheten.

Dansk

Anbring ikke apparatet i et rack eller en boghylde, da dette kan bloke luftcirkulationen omkring apparatet. Iagttag ligeledes følgende:

- Berør ikke oversiden af kabinettet under anvendelsen.
- Bloker ikke åbningerne i kabinettet under anvendelsen.
- Stik ikke genstande ind under apparatet.
- Bloker ikke ventilationsåbningerne ovenpå apparatet.
Anbring ikke noget nærmere end 1 m over apparatets overside.
- Sørg for, at der er et frit område på omkring 0,2 m omkring apparatet.

FOREWORD

This section must be read carefully before any connection is made to the mains supply.

WARNINGS

- Do not expose the equipment to rain or moisture.
- Do not remove the cover from the equipment.
- Do not insert anything into the equipment through the ventilation holes.
- Do not handle the mains lead with wet hands.

EQUIPMENT MAINS WORKING SETTING

Your Marantz product complies with the household power and safety requirements in your area.

"/02" Version product can be powered by 230 V AC only.

IMPORTANT

This apparatus is fitted with an approved moulded 13 Amp plug. To change a fuse in this type of plug proceed as follows:

1. Remove fuse cover and fuse.
2. Fix new fuse which should be a BS1362 5A, A.S.T.A. or BSI approved type.
3. Refit the fuse cover.

If the fitted plug is not suitable for your socket outlets, it should be cut off and an appropriate plug fitted in its place.

If the mains plug contains a fuse, this should have a value of 5A. If a plug without a fuse is used, the fuse at the distribution board should not be greater than 5A.

NOTE:

The severed plug must be destroyed to avoid a possible shock hazard should it be inserted into a 13A socket elsewhere.

HOW TO CONNECT A PLUG

The wires in the mains lead are coloured in accordance with the following code:

BLUE—"NEUTRAL" ("N")

BROWN—"LIVE" ("L")

1. The BLUE wire must be connected to the terminal which is marked with the letter "N" or coloured BLACK.
2. The BROWN wire must be connected to the terminal which is marked with the letter "L" or coloured RED.
3. Do not connect either wires to the earth terminal in the plug which is marked by the letter "E" or by the safety earth symbol \perp or coloured green or green-and-yellow.

Before replacing the plug cover, make certain that the cord grip is clamped over the sheath of the lead — not simply over the two wires.

COPYRIGHT

Recording and playback of some material may require permission. For further information refer to the following:

- Copyright Act 1956
- Dramatic and Musical Performers Act 1958
- Performers Protection Acts 1963, and 1972
- Any subsequent statutory enactments and orders

PRECAUTIONS

The following precautions should be taken when operating the equipment.

GENERAL PRECAUTIONS

When installing the equipment ensure that:

- the ventilation holes are not covered.
- air is allowed to circulate freely around the equipment.
- it is placed on a vibration-free surface.
- it will not be exposed to excessive heat, cold, moisture or dust.
- it will not be exposed to direct sunlight.
- it will not be exposed to electrostatic discharges.

In addition, never place heavy objects on the equipment.

If a foreign object or water does enter the equipment, contact your nearest dealer or service center.

Do not pull out the plug by pulling on the mains lead; grasp the plug.

It is advisable when leaving the house, or during a thunderstorm, to disconnect the equipment from the mains supply.

1. INTRODUCTION

Thank you for purchasing the Marantz MA6100 power amplifier for your sound system. Please take a few minutes to read this manual thoroughly, before you attempt connections and operation.

The Marantz MA6100 is a monophonic (single channel) amplifier, that is designed for home theater and high quality audio systems.

2. FEATURES

- The MA6100 is a monaural power amplifier developed for use in hi-fi AV systems.
- It is a high-power power amplifier with all-discrete circuit configuration with rated outputs of 125 W/8-ohms.
- It is designed with narrow panel area to reduce the installation area. The width becomes 17-3/8 inches (440 mm) when 5 units are placed side by side.
- The small space requirement is ideal for use as an extension amplifier for AV components such as a Dolby Digital Surround processor.
- It is provided with the MARANTZ remote control capability so its power can be controlled from a MARANTZ preamplifier or integrated amplifier (MARANTZ remote control compatible products).
- The power of the unit can be switched by remote control using a video signal or DC signal.

* THX



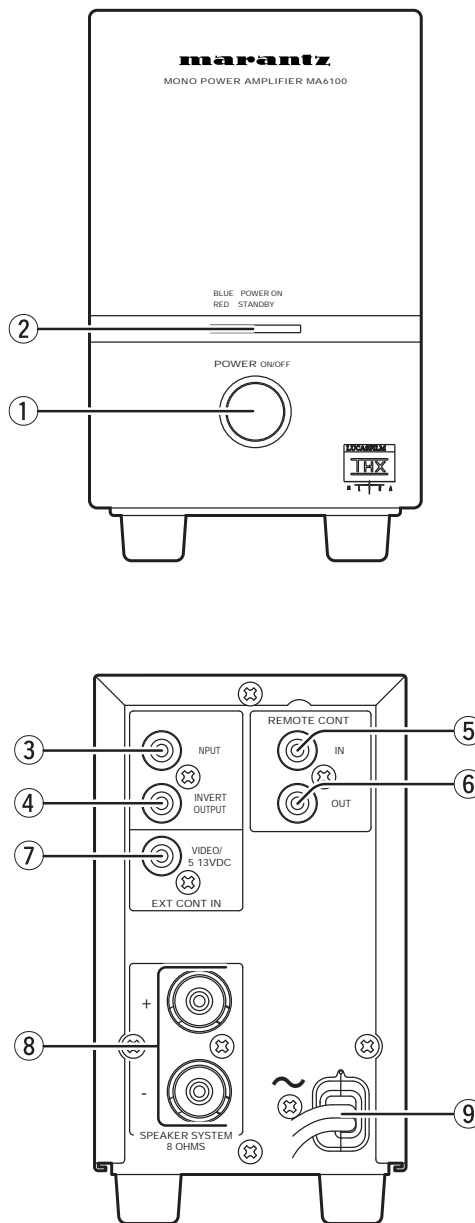
THX is an exclusive set of standards and technologies established by the world-renowned film production company, Lucasfilm Ltd. THX grew from George Lucas' personal desire to make your experience of the film soundtrack, in both movie theatres and in your home theatre, as faithful as possible to the master recording.

Before any home theatre component can be THX Ultra certified, it must pass a rigorous series of quality and performance tests. Only then can a product feature the THX Ultra logo, which is your guarantee that the Home Theatre products you purchase will give you superb performance for many years to come.

Home THX Amplifiers

With today's superior quality but exceptionally complex audio systems it is important to ensure that noise, distortion and frequency response errors are negligible in all links in the audio chain. With discrete multichannel sources it is especially important that maximum power is instantly available without instability, rise in distortion or other undesirable side affects. THX Ultra requirements cover every performance aspect of this product including operation, output power levels, gain, frequency response and numerous other parameters. Whether you choose music or movies, multichannel or stereo, this amplifier will be supremely flexible, easy to use, sonically transparent and absolutely reliable.

3. NAMES AND FUNCTIONS



① POWER switch

Press the button to turn power on (POWER ON mode), and press it again to turn power off (POWER OFF mode). When it is required to remote control the power mode of the MA6100, be sure to leave this switch in the POWER ON mode.

② POWER ON indicator

A POWER ON/ STANDBY indicator The indicator glow red when the unit is in Standby mode and blue when the unit is On.

③ Audio INPUT jack

Connect the preamplifier output to this jack.

④ Audio INVERT OUTPUT jack

This jack is for output of signal which was inverted from the normal input signal.

⑤ REMOTE CONT. IN jack

Connect with the remote control output jack of a component which is compatible with MARANTZ remote control system. The remote control allows to switch the power of the MA6100 between the "POWER ON" mode and "STANDBY" mode.

⑥ REMOTE CONT. OUT jack

Connect with the remote control input jack of a component which is compatible with MARANTZ remote control system.

⑦ EXT. CONT IN jack

Not connected when the power is to be controlled from a MARANTZ remote control unit.

Connect to the video signal output of a video component when the power is to be controlled based on a video signal.

The external control allows to switch the "POWER ON" and "STANDBY" modes of the unit according to the "presence" and "absence" of video signal.

When the video signal becomes absent while the power of the unit is on, it enters the "STANDBY" mode in about 4 seconds; the unit enters the "POWER ON" mode again when the video signal is input again.

As the control data of the EXT. CONT IN jack is also output at the REMOTE CONT. OUT jack, the MA6100 units connected after this unit can also be switched between the "POWER ON" and "STANDBY" modes.

Leave Power switch ① in the ON position.

* External control using a signal from 5 to 13 V in place of video signal is also possible using this jack. However, as this scheme belongs to the professional use, please consult MARANTZ if you want to adopt such an external control scheme.

⑧ SPEAKER SYSTEM terminals

Connect with speakers using speaker cords. Respect the + and - polarity when connecting speakers.

Use speakers with an impedance of 8 to 16 ohms.

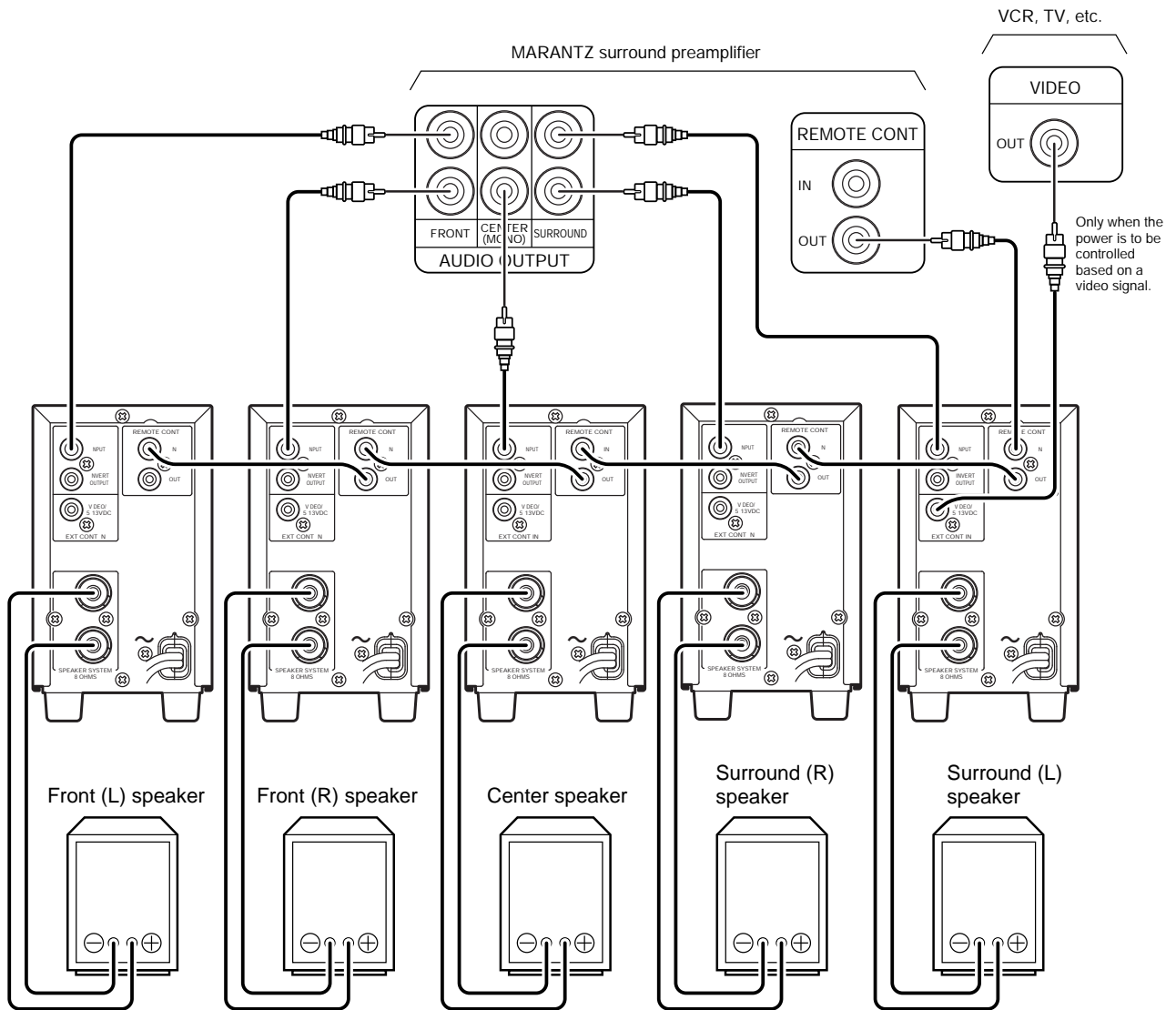
⑨ Power cord

Insert the plug at the extremity of the power cord into a 230 V AC household AC outlet.

To Enjoy sound with a higher quality, it is recommended to match the power connection polarity with other components. The white-lined wire of the power cord is the neutral (GND) wire.

4. CONNECTIONS

Connection for a 5-channel system

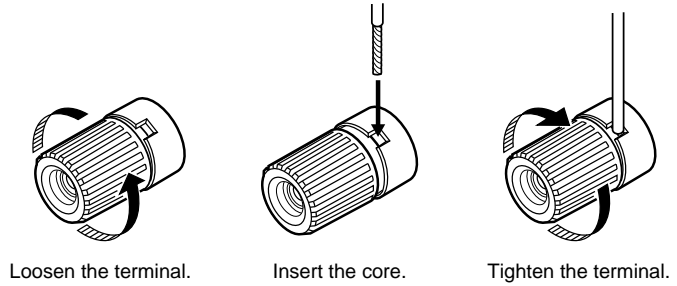
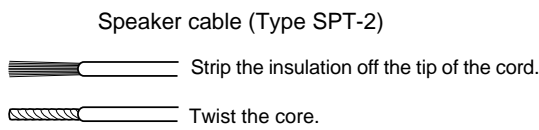


5. SPEAKER CONNECTION

This equipment, being a high audio output power amplifier, has a hazardous energy at its speaker terminal. Please be sure to make an appropriate speaker connection according to the following procedures:

- * Confirm that the power switch of the equipment is at "OFF" position. If it is at "ON", turn it to "OFF" position to connect a speaker cable.
- * Use a speaker cable with the flame retardant rating of Type SPT-2 or more.
- * Don't strip the insulation off more than shown in the figure, at the speaker terminal connection of speaker cable.

- * Connect speakers in correct polarity, according to the indication for the polarity of speaker terminals.
- * Connect a speaker cable to the speaker terminal in such the condition that the insulated part more than 1.6 mm of the speaker cable is inserted into the terminal and that the bare core of the speaker cable is never exposed outside the terminal.
- * Prevent any stress from being applied to the speaker cable connected to the speaker terminal.
- * Don't touch the speaker terminals during operation.



Connection of speaker cable

6. CARE AND MAINTENANCE

This section describes the care and maintenance tasks that must be performed to optimize the operation of your Marantz equipment.

CLEANING OF EQUIPMENT EXTERNAL SURFACES

The exterior finish of your unit will last indefinitely with proper care and cleaning. Never use scouring pads, steel wool, scouring powders or harsh chemical agents (e.g., lye solution), alcohol, thinners, benzene, insecticide or other volatile substances as these will mar the finish of the equipment. Likewise, never use cloths containing chemical substances. If the equipment gets dirty, wipe the external surfaces with a soft, lint-free cloth.

If the equipment becomes heavily soiled:

- dilute some washing up liquid in water, in a ratio of one part detergent to six parts water.
- dip a soft, lint free cloth in the solution and wring the cloth out until it is damp.
- wipe the equipment with the damp cloth.
- dry the equipment by wiping it with a dry cloth.

7. REPAIRS

Only the most competent and qualified technicians should be allowed to service your unit. Marantz and its factory trained warranty station personnel have the knowledge and special equipment needed for repair and calibration of this precision instrument.

In the event of difficulty, call the toll-free telephone number listed on the face of the warranty to obtain the name and address of the Marantz Authorized Service Center nearest you. In many cases, the dealer where you purchased your Marantz unit may be equipped to provide service. Please include the model, serial number of your unit together with a copy of your purchase receipt and a full description of what you feel is abnormal in its behavior.

8. TROUBLESHOOTING

The amplifier does not operate and the POWER ON indicator does not light.

- Is the power cable plugged in properly to the AC power outlet?

The POWER ON indicator lights, but the amplifier does not function.

- Are speaker cables and input cables connected properly?

9. SPECIFICATION

Rated output (20 Hz~20 kHz)	125 W	8-ohms
Distortion	0.02 %	
Frequency response (-1 dB)	10 Hz to 70 kHz	
S/N ratio (A-weight)	110 dB	
Damping factor (1 kHz)	60	
Power supply	230 V AC, 50 Hz	
Power consumption	200 W	
	(Stand-by) 1.0 W	
Dimensions		
Width	88 mm	
Height	146 mm	
Depth	470 mm	
Weight	5.7 kg	

Accessories

Remote control cable

Design and specifications are subject to change without notice.

COUNTRY	COMPANY	ADDRESS
ALGERIE	Azur 2000	8, Lotissement Ben Hatadi, Alger, Algerie
ARMENIA	NGYIG Ltd.	47 A/75 St. Lalaiants, 375000 Yerevan, Armenia
AUSTRALIA	Jamo Australia Pty. Ltd.	24 Lionel Road, Mt. Waverley, VIC 3149, Australia
AUSTRIA	Huber & Prohaska GmbH	Taborstraße 95 / Ladestraße 1, Geb ude Hangartner, A-1200 Wien, Austria
BAHREIN	Ambassador Stores	P.O. Box 237,141, Government Avenue, Manama,Bahrein
BANGLADESH	Target	1078, Ramjoy Mohanja Lane Asadgonj, Chittagong 4000, Bangladesh
BELGIUM	Van der Heyden Audio N.V.	Brusselbaan 278, 9320 Ereembodegem, Belgium
BULGARIA	Ariescommerce GmbH	Makedonia Blvd. 16, 1606 Sofia, Bulgaria
CANADA	Lenbrook Industries Limited	633 Granite Court, Pickering, Ontario
CHINA	Guang Chang Audio International Co., Ltd.	No.38 Yushan Road, ShiQiao, Pan Yu, Guang Dong, China
CYPRUS	Empire Hifi systems Ltd.	P.O. Box 5604, Nicosia, Cyprus
CZECH REPUBLIC	Audio International	Sokolska 41, 67902 Rajecsko, OKR,Blansko, Czech Republic
DENMARK	Audio Nord	Dall All 1, 9610 Noerager, Denmark
DUBAI	V.V.& SONS	P.O. Box 105, Dubai, U.A.E.
EGYPT	Solimco	9, El Attibaa St. Doki, Cairo, Egypt
ESTONIA	HIFI Club Estonia	Ehte 4, 90503 Haapsalu, Estonia
F.Y.R.O.M.	T.P. KODI	ul.Cedomir Kantargiev 21a, Skopje, Former Yugoslavian Republic of Macedonia
FINLAND	Audio Nord	Uudenmaankatu 4-6, Helsinki SF-00120, Finland
FRANCE	Marantz France	A division of Marantz Europe B.V., P.O. Box 301, 92 156 Suresnes Cedex, France
GERMANY	Marantz Deutschland	Hakenbusch 3, 49078 Osnabr ck, Germany
GREECE	Adamco S.A.	188, Hippocratous Street, 11471 Athens, Greece
HEADQUARTERS EUROPE:	Marantz Europe B.V.	Building SFF-2, P.O. Box 80002, 5600 JB Eindhoven, The Netherlands
HONG KONG	Marantz Asia Ltd.	Unit 1706, Metroplaza II, 223 Hing Fong Road, Kwai Fong, N.T., Kowloon, Hong Kong
HUNGARY	Infobox Ltd.	Terez Krt.31, 1067 Budapest, Hungary
ICELAND	ID Electronics Ltd.	Armula 38, 108 Reykjavik, Iceland
INDIA	NOVA Audio Private	8,Punam Co-op.Society 29/30 Road#5, Union Park MUMBAI 400052, India
IRAN	Home Co.	5th floor no 878 Philips Building Enghelab ave, P.O. 11365/7844 Tehran, Iran
IRELAND	Marantz Ireland	Clonskeagh, Dublin 14, Ireland
ISRAEL	Elmor Ltd.	52 Heh Beiyar Street, Kikar Hamedina, Tel Aviv, Israel
ITALY	Marantz Italy	Via Casati 23, 20052 Monza (Milano), Italy, Servizio Consumatori 1678-20026, Numero Verde
IVORY COAST	Hifivoir	B.P. 2428, Abidjan 01, Ivory Coast
JAPAN	Marantz Japan Inc.	35-1 Sagami Ohno 7-Chome, Sagamihara-shi, Kanagawa 228-8505, Japan
KOREA	Mk Enterprises Ltd.	121-210, 2F Shinhan Bldg., 247-17 Seokyo-dong, Mapo-ku, Seoul, Korea
KUWAIT	alAlamiah Electronics Intl.	P.O. Box 8196, Salmiah 22052, Kuwait
LATVIA	Ace Ltd.	61, LacPlesa Str., Riga LV 1011, Latvia
LEBANON	AZ Electronics S.A., 1,	P.O. Box 11 2833, Beirut, Lebanon
LITHUANIA	Accapella Ltd.	Ausros, Vartu G/5, Pasazo SKG., 2001 Vilnius, Lithuania
MALAYSIA	Wo Kee Hong Electronics Sdn. Bhd.	102 Jalan SS 21/35, Damansara Utama, 47400 Petaling Jaya, Selangordarul Ehsan, Malaysia
MALTA	Doneo Co Ltd.	78 The Strand, Silema SLM07, Malta
MAURITIUS	SKR Electronics Ltd.	P.O. Box 685, Bell Village, Port Louis, Mauritius
MILITARY MARKET EUROPE	PASCO GmbH	PO BOX 1280, Sandhausen 69200, Germany
NETHERLANDS	Marantz Domestic Sales	A division of Marantz Europe B.V., Building SFF2, P.O. Box 80002, 5600 JB Eindhoven, The Netherlands
NEW ZEALAND	Wildash Audio Systems	14 Malvern Road, Mt. Albert, Auckland, New Zealand
NORWAY	Audio Nord	Sandkerveien 64, Oslo 0483, Norway
OMAN	Mustafa & Jawad Trading CO.	P.O. Box 1918, Ruwi, Oman
POLAND	Philips Polska Sp. z.o.o.	Al.Jerozolimskie 195b, 02 222 Warszawa, Poland
PORTUGAL	Corel2	Com rcio de Electr nica Lda., Av. Lu s B var, No 85 A, 1050 Lisboa, Portugal
PROFESSIONAL EUROPE	Marantz Professional Products	Kingsbridge House, Padbury Oaks, 575-583 Bath Road, Longford, Middlesex UB7 0EH, U.K.
PROFESSIONAL U.S.A.	Marantz Professional Products	Distributed by: Superscope Technologies Inc., 1000 Corporate Blvd. Ste.D, Aurora, Illino
QATAR	Almana & Partners W.W.L.	P.O. Box 49, Doha, Qatar
REUNION	Vision +	180 Rue du Marechal Leclerc, 97400 Saint Denis, Ile de la Reunion
ROMANIA	Nova Music Entertainment	5, Zagazului Str. Bl.1G,apt.18, sector 1,Bucharest, Romania
RUSSIA	Absolute Audio	7/2, Montazhnaya Street, 107497 Moscow, Russia
SAUDI ARABIA	Adawlia Univ. Electr. Apl	P.O. Box 2154, Alkhobar 31952, Saudi Arabia
SINGAPORE	Forward Marketing (S) Pte. Ltd.	Wo Kee Hong Centre, 29 Leng Kee Road, Singapore 159099, Singapore
SLOVAKIA	Bis Audio s.r.o.	Nam. SNP 10, 96001 Zvolem, Slovakia
SLOVENIA	Bofex	Smartinska 152, HALA V/3, 61000 Ljubljana, Slovenia
SOUTH AFRICA	Coherent Imports (PTY) Ltd.	P.O. Box 1614, Alberton, 1450, South Africa
SPAIN	Marantz Spain	Martinez Villergas 2, Apartado 2065, Madrid 28027, Spain
SRI LANKA	The listening Room	Mezzanine Floor, The Landmark 385, Galle Road, Colombo - 3, Sri Lanka
SWEDEN	Audio Nord	Almedalsvagen 4, Gotenborg 402-23, Sweden
SWITZERLAND	Sound Company AG	Postfach, 8010 Z rich, Switzerland
SYRIA	Hamzeh & Partners	Hafez Ibrahim Str. No 117, Damascus Shalan, Syria
TAHITI	Covecolor	Av. Prince Hinoi, Cours de l'union sacr , P.O. Box 2334, Papeete, Tahiti
TAIWAN	Pai-Yuing Co. Ltd.	6th No 148 Sung Kiang Road, Taipei 10429, Taiwan R.O.C.
THAILAND	MRZ Standard Co. Ltd.	746-750 Mahachai Road, Wangburapa, Bangkok 10200, Thailand
TUNESIA	Societe EDEVIG	40, Avenue du Golfe Arabe, El Menzah, 1004, Tunesia
TURKEY	T rk Philips Ticaret A.S.	Yukari Dudullu Organize sanayi Bolgesi, 2.Cadde no.28, 81260 Umraniye-Istanbul, Turkey
U.K.	Marantz Hifi UK Ltd.	Kingsbridge House, Padbury Oaks, 575-583 Bath Road, Longford, Middlesex UB7 0EH, U.K.
U.S.A.	Marantz America Inc.	440 Medinah Road, Roselle, IL 60172, U.S.A.
YUGOSLAVIA	ITM Company	Omladinskih Brigada 86, 11070 Belgrade, Yugoslavia
EXPORT	Marantz Domestic Sales	A division of Marantz Europe BV,Building SFF2, P.O. Box 80002, 5600 JB Eindhoven, TheThe Netherlands

www.marantz.com

Lucasfilm and THX are registered trademarks of Lucasfilm Ltd.

marantz® is a registered trademark.

